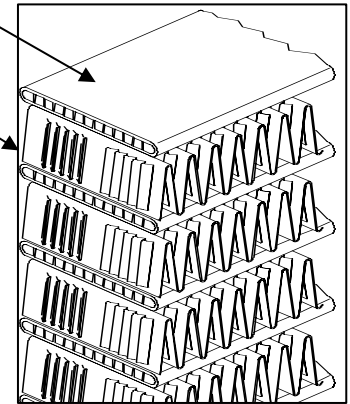




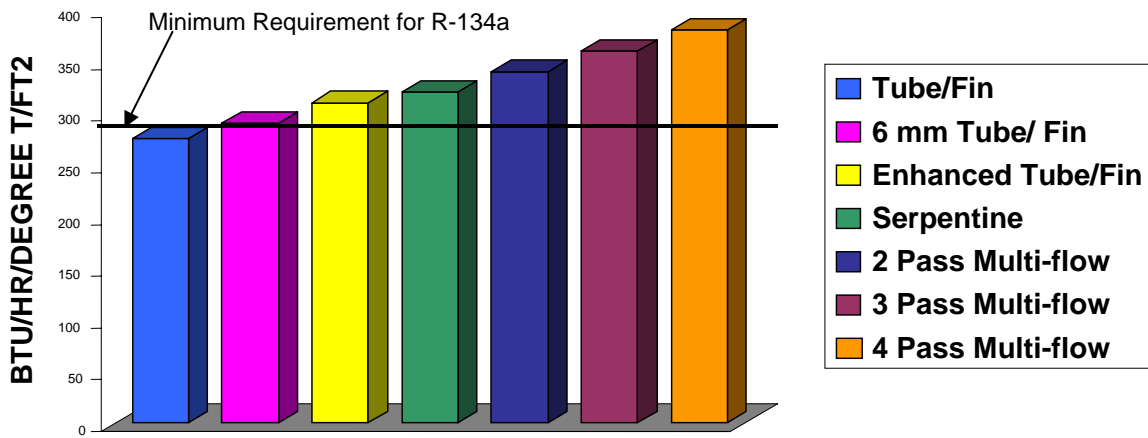
Multi-Flow Condensers

Our Multi-Flow Condenser design has allowed us to create a very efficient condensing unit in a compact yet sturdy package. All of our Multi-Flow Condensers are USA made with highest attention to OEM design and engineering specifications. These superb products are manufactured in our QS9000 & ISO14001 certified facility under exacting quality and performance standards. Our Multi-Flow Condensers include all of these design and performance features:

- **22mm Design** – Gives you 33% more capacity when compared to traditional 16mm condenser of the same height and length.
- **Rugged & Robust Design** – Providing exceptional durability while offering excellent performance.
- **Crossflow Tubes** – Long Life Alloy improves corrosion resistance while maintaining superior heat exchange. Thin profile decreases air resistance for improved engine cooling.
- **Louvered 0.005" Thin Fins** – Designed to provide increased heat transfer due to improved airflow.
- **Patented End Tanks** – Manufactured from a specially designed one-piece extrusion for extra strength and durability with universal integrated mounting flanges.
- **Nocolok® Oven Brazing** – A special process that creates a homogenous assembly with joints that are leak free and bolsters structural integrity.
- **Integrated Mounting Flanges** – Pre-punched for flexible and easy mounting of brackets and fans.
- **Universal-Fit** – Standard sizes configured to fit most applications.



Condenser Performance Comparison
R12 Technology Tested at 500 FPM Face Velocity



Maxair Multi-Flow Condensers

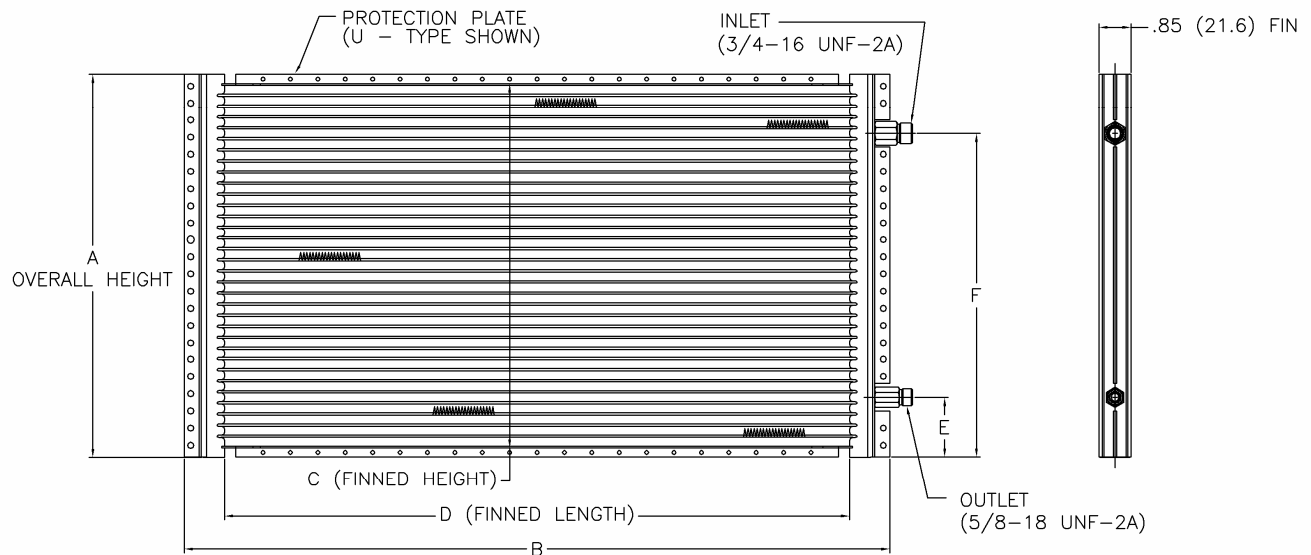
Model Size	Maxair Model No	PASS	CONFIG TYPE	FPI	PLATE TYPE	A	B	C	D	E	F
11 x 20	12-0683	2	S	14	F	10.74	20.00	10.49	17.05	1.22	7.64
11 x 26	12-0632	2	S	14	F	10.74	25.75	10.49	22.80	1.22	7.64
12 x 13	12-0720	2	S	14	U	12.00	12.41	11.30	9.46	1.77	10.21
12 x 14	12-0651	4	S	14	U	12.00	14.00	11.30	11.04	1.77	10.21
12 x 14	12-0663	4	T	14	U	12.00	14.00	11.30	11.04	3.84	7.54
12 x 16	12-0722	4	S	14	U	12.00	16.00	11.30	13.05	1.77	10.21
12 x 18	12-0681	4	S	14	U	12.00	18.00	11.30	15.05	1.77	10.21
12 x 20	12-0623	4	S	14	U	12.00	20.08	11.30	17.13	1.77	10.21
12 x 22	12-0439	4	S	14	U	12.00	21.75	11.30	18.80	1.77	10.21
12 x 22	12-0535	3	O	14	U	12.00	21.75	11.30	18.80	1.77	10.21
12 x 24	12-0723	4	S	14	U	12.00	24.00	11.30	21.03	1.77	10.21
12 x 26	12-0440	4	S	14	U	12.00	25.75	11.30	22.80	1.77	10.21
12 x 26	12-0536	3	O	14	U	12.00	25.75	11.30	22.80	1.77	10.21
12 x 30	12-0721	4	S	14	U	12.00	29.61	11.30	26.66	1.77	10.21
12 x 33	12-0709	4	S	14	U	12.00	32.80	11.30	29.85	1.77	10.21
14 x 14	12-0667	4	S	14	U	14.00	14.00	13.31	11.05	2.17	11.81
14 x 16	12-0661	4	S	14	U	14.00	16.00	13.31	13.05	2.17	11.81
14 x 18	12-0682	4	S	14	U	14.00	18.00	13.31	15.05	2.17	11.81
14 x 20	12-0537	3	O	14	U	14.00	20.08	13.31	17.13	2.17	11.81
14 x 20	12-0544	4	S	14	U	14.00	20.08	13.31	17.13	2.17	11.81
14 x 22	12-0437	4	S	14	U	14.00	21.75	13.31	18.80	2.17	11.81
14 x 22	12-0530	3	O	14	U	14.00	21.75	13.31	18.80	2.17	11.81
14 x 22	12-0553	4	T	14	U	14.00	21.75	13.31	18.81	4.00	9.14
14 x 24	12-0724	4	S	14	U	14.00	24.00	13.31	21.03	2.17	11.81
14 x 26	12-0438	4	S	14	U	14.00	25.75	13.31	22.80	2.17	11.81
14 x 26	12-0473	3	O	14	U	14.00	25.75	13.31	22.80	2.17	11.81
14 x 26	12-0617	4	S	12	U	14.00	25.75	13.31	22.80	2.17	11.81
16 x 21	12-0694	4	S	14	F	15.54	20.53	15.32	17.58	1.01	14.38
16 x 24	12-0508	2	S	14	F	15.54	24.00	15.32	21.03	1.52	12.56
16 x 26	12-0725	4	S	14	F	15.54	25.75	15.32	22.80	1.52	12.56
16 x 27	12-0507	2	S	14	F	15.35	27.00	15.32	24.06	1.16	13.49
16 x 30	12-0568	2	S	14	F	15.54	29.61	15.32	26.66	1.52	12.56
17 x 15	12-0719	4	S	14	U	16.79	15.06	16.14	12.11	1.97	14.79
18 x 17	12-0691	4	S	14	F	17.55	16.50	17.33	13.55	1.21	16.20
18 x 22	12-0509	3	O	14	F	17.55	21.75	17.33	18.80	1.22	16.20
18 x 22	12-0732	4	S	14	F	17.55	21.75	17.33	18.80	1.21	16.20
18 x 24	12-0733	3	O	14	F	17.55	24.00	17.33	21.03	1.21	16.20
18 x 24	12-0734	4	S	14	F	17.55	24.00	17.33	21.03	1.21	16.20
18 x 26	12-0726	4	S	14	F	17.55	25.75	17.33	22.80	1.21	16.20
18 x 27	12-0731	4	S	14	F	17.55	27.00	17.33	24.06	1.21	16.20
18 x 27	12-0736	3	O	14	F	17.55	27.00	17.33	24.06	1.21	16.20
20 x 14	12-0687	4	T	14	F	19.56	14.00	19.34	11.05	3.48	15.80
20 x 14	12-0689	4	S	14	F	19.56	14.00	19.34	11.05	1.23	18.47
20 x 17	12-0676	4	L	14	F	19.56	16.50	19.34	13.55	16.97	18.47
20 x 17	12-0717	4	S	14	F	19.56	16.50	19.34	13.55	1.23	18.47
20 x 21	12-0718	4	S	14	F	19.56	20.67	19.34	16.31	0.80	15.09
20 x 23	12-0510	3	O	14	F	19.56	23.00	19.34	19.99	1.27	17.49
20 x 26	12-0727	4	S	14	F	19.56	25.75	19.34	22.80	1.23	18.47
20 x 28	12-0666	4	S	14	F	19.56	27.45	19.34	24.50	1.23	18.47
20 x 30	12-0511	4	S	14	F	19.56	29.61	19.34	26.66	1.23	18.47
20 x 36	12-0730	4	S	14	F	19.56	35.50	19.34	32.55	1.08	18.31
Bracket Kit	13-0890	-	-			-	-	-	-	-	-

Bold Models in stock.

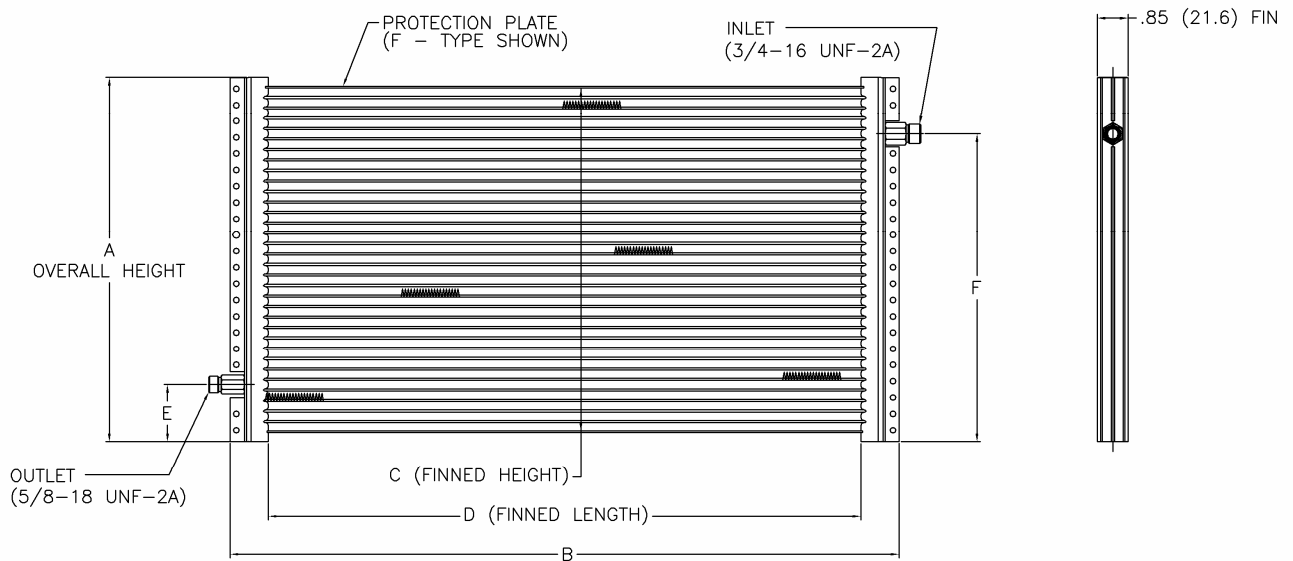
Maxair Multi-Flow Condensers

- List prices shown are for unpainted condensers with a cardboard wrap.
- Other options available are paint, special connections, boxed, or different fin pitches - Call for custom quote.
- Popular items are in stock; all others 2 to 4 week lead time - Prices are FOB our plant, Fort Worth, Texas.
- Superseding all price sheets prior to **June 1, 2005** - Prices are subject to change without notice.
- All orders subject to Maxair standard terms and conditions.
- Possession of this price sheet does not constitute an offer to sell by Maxair.

Configuration Type "S"



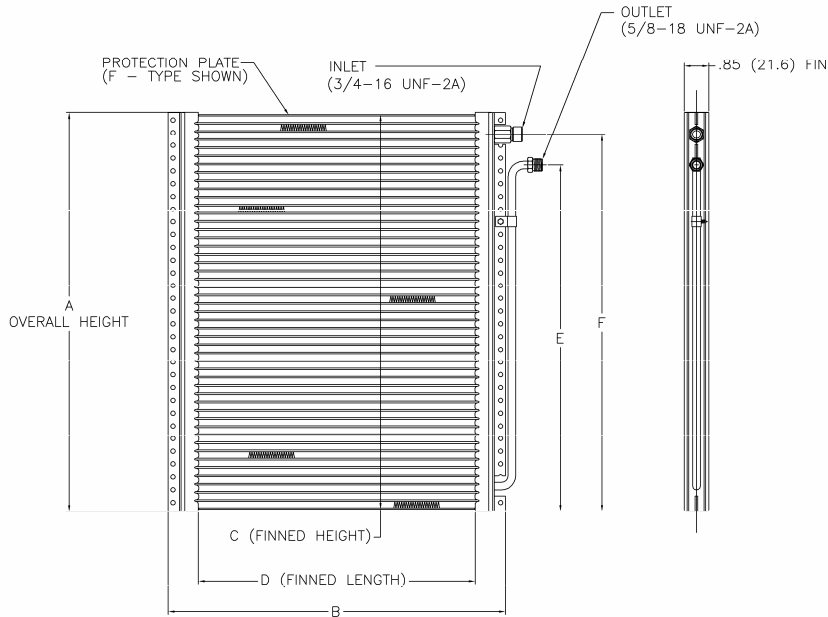
Configuration Type "O"



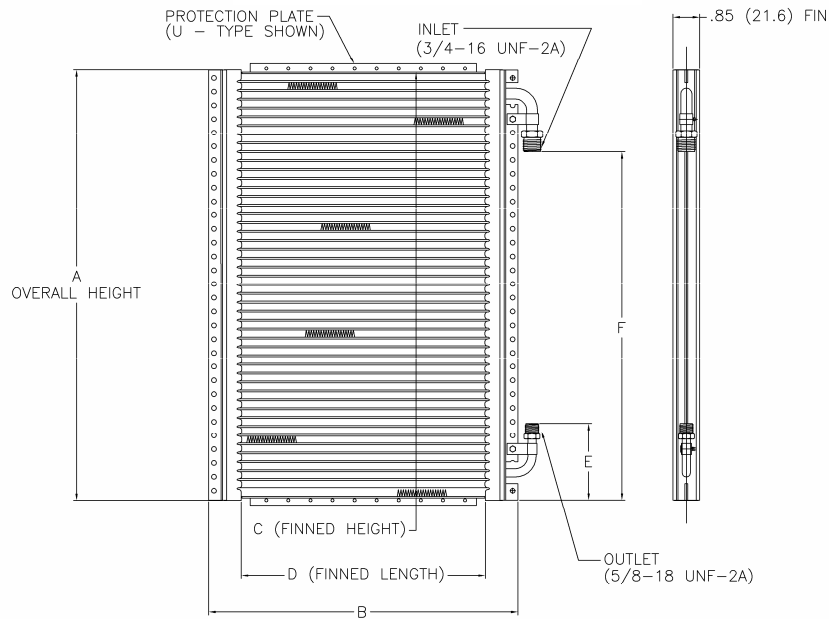
See next page for Configuration "L" & "T"

Maxair Multi-Flow Condensers

Configuration Type "L"



Configuration Type "T"



Maxair Automotive
500 Industrial Blvd
Grapevine, Texas 76051
1-866-9MAXAIR (962-9247)

Printed in USA
Copyright ©2009. All Rights Reserved

